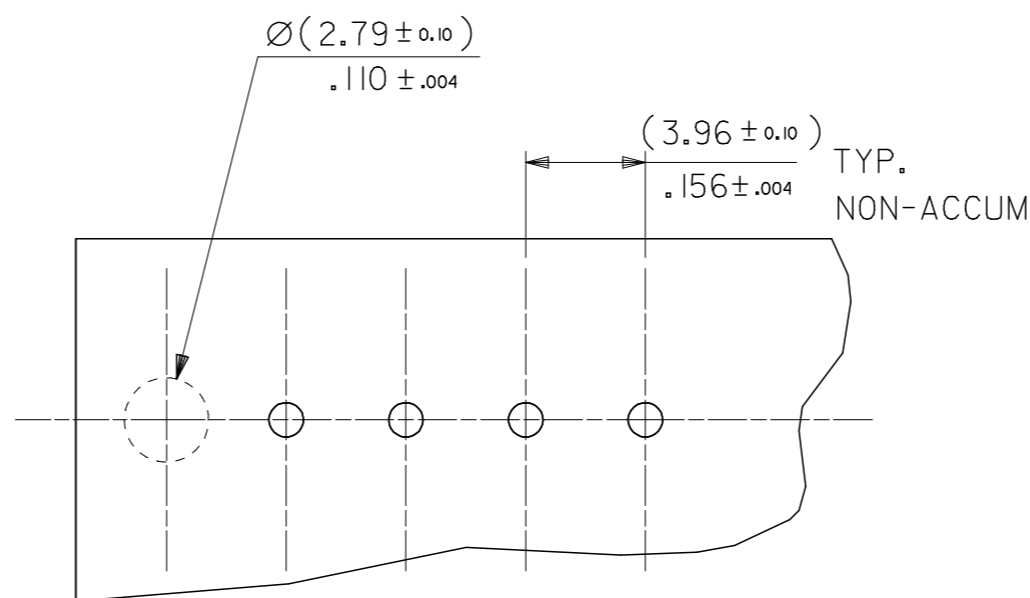
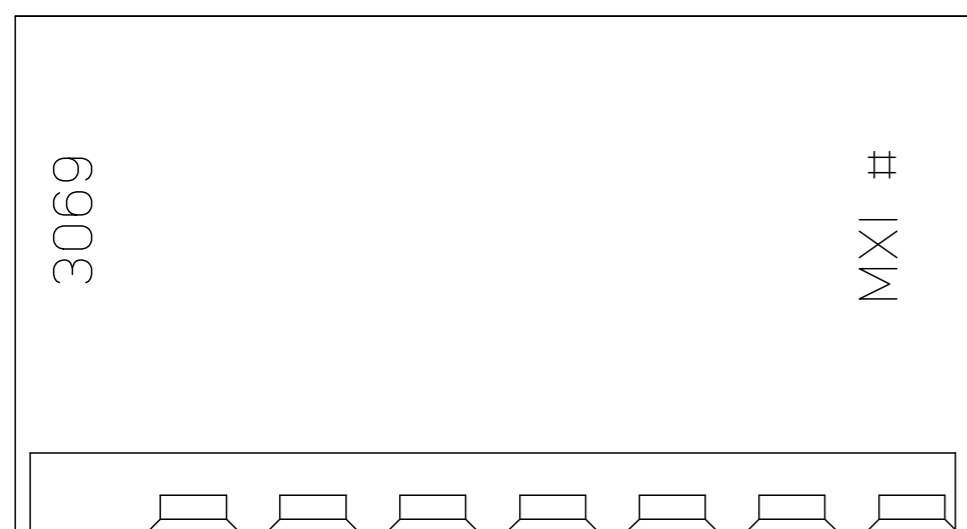
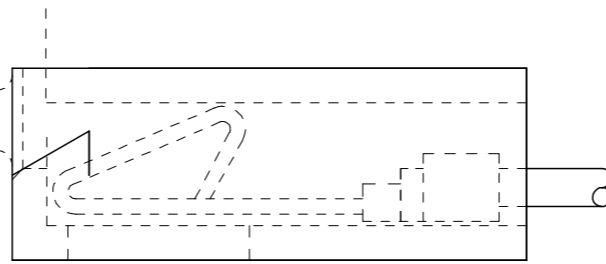
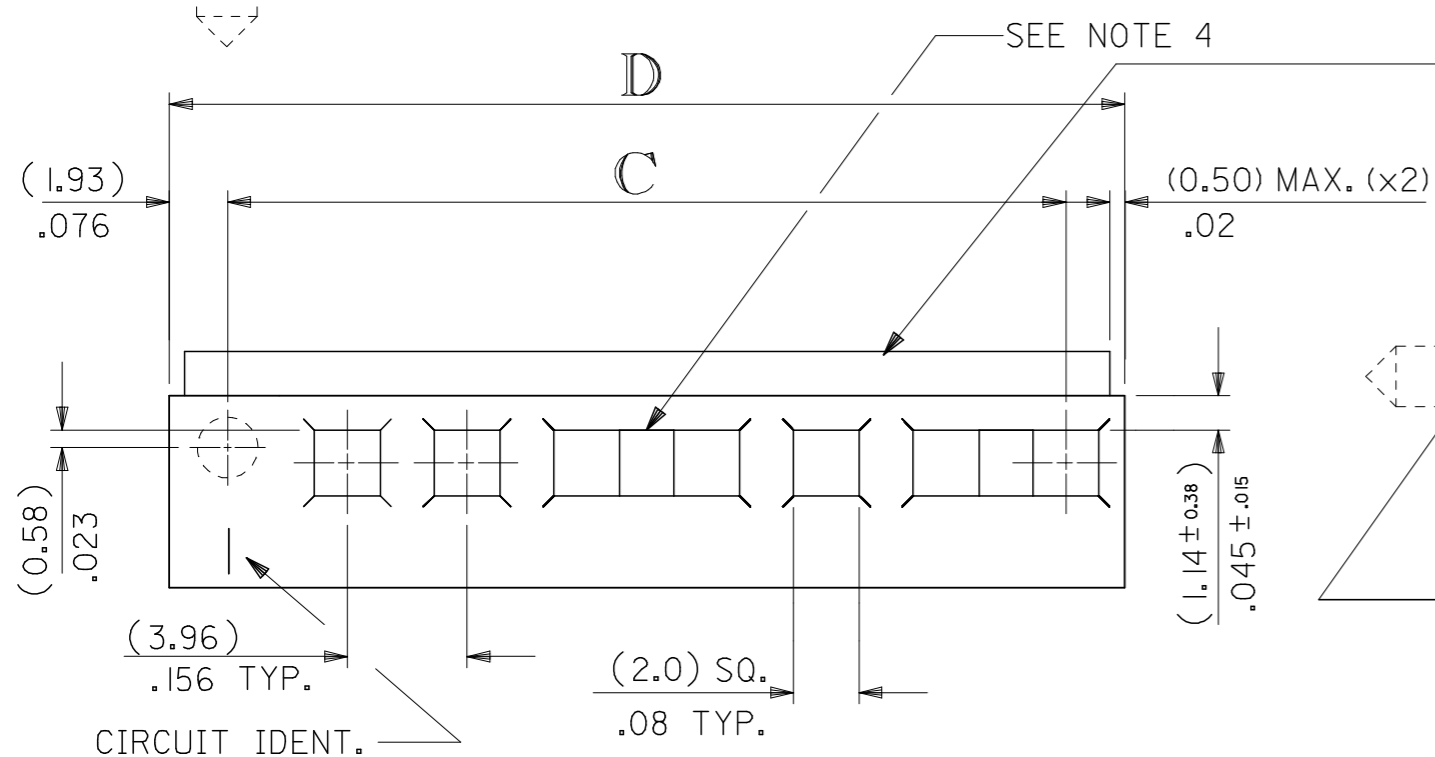


OPTIONAL WINDOW DETAIL



RECOMMENDED P/C BOARD



LOCKING RAMP OPTIONAL

(2.5)

.10

30°

OPTIONAL PEG IN POSITION No. 1 ONLY

DIRECTION OF TERMINAL INSERTION.

ENG. No. DESIGNATION

3069 - A N 2 P

"A" DESIGNATES NYLON 6/6, 94V-0 COLOUR RED
 "BLANK" DESIGNATES NYLON 6/6
 "B" DESIGNATES NYLON 6/6, 94V-0 COLOUR WHITE

"P" INDICATES HOUSING WITH PEG
 "BLANK" INDICATES HOUSING WITHOUT PEG.

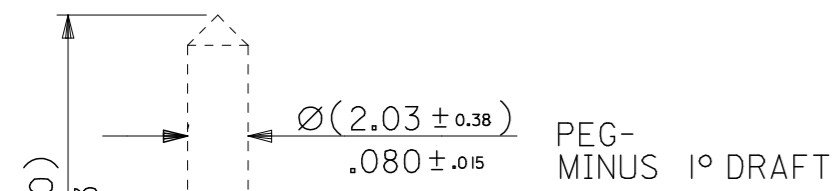
"2" INDICATES HOUSING WITHOUT RAMP
 "BLANK" INDICATES HOUSING WITH RAMP

NO. OF CKT'S

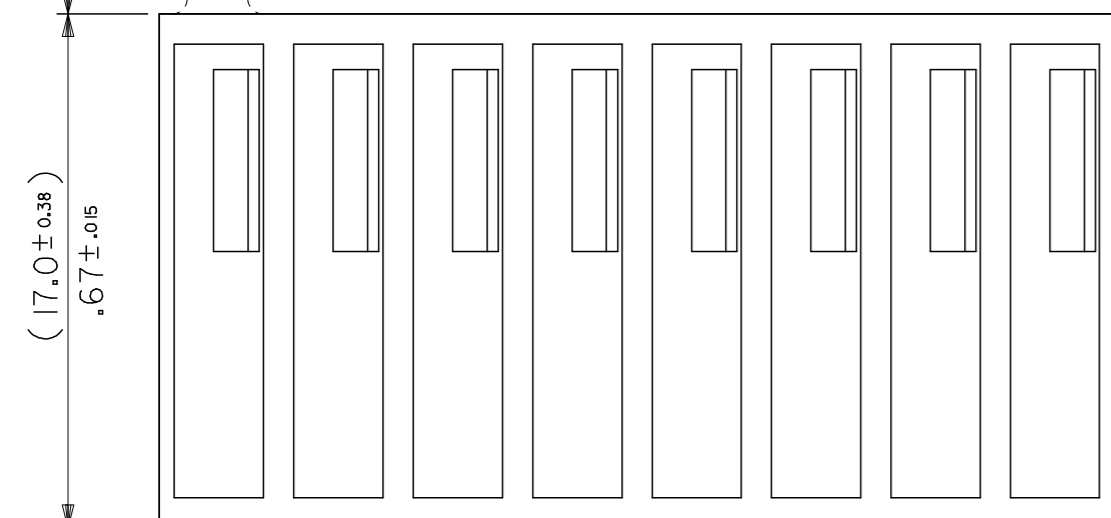
No. OF CCTS.	C	D	No. OF CCTS.	C	D
14	(51.51 ± 0.36) 2.028 ± .014	(55.37 ± 0.36) 2.180 ± .014	2	(3.96 ± 0.15) .156 ± .005	(7.82 ± 0.25) .308 ± .010
15	(55.47 ± 0.36) 2.184 ± .014	(59.33 ± 0.36) 2.336 ± .014	3	(7.92 ± 0.15) .312 ± .005	(11.79 ± 0.25) .464 ± .010
16	(59.44 ± 0.36) 2.340 ± .014	(63.30 ± 0.36) 2.492 ± .014	4	(11.89 ± 0.15) .468 ± .005	(15.75 ± 0.25) .620 ± .010
17	(63.40 ± 0.36) 2.496 ± .014	(67.26 ± 0.36) 2.648 ± .014	5	(15.85 ± 0.15) .624 ± .005	(19.71 ± 0.25) .776 ± .010
18	(67.36 ± 0.36) 2.652 ± .014	(71.22 ± 0.36) 2.804 ± .014	6	(19.81 ± 0.15) .780 ± .005	(23.67 ± 0.25) .932 ± .010
19	(71.32 ± 0.36) 2.808 ± .014	(75.18 ± 0.36) 2.960 ± .014	7	(23.77 ± 0.15) .936 ± .005	(27.64 ± 0.31) 1.088 ± .012
20	(75.29 ± 0.36) 2.964 ± .014	(79.15 ± 0.46) 3.116 ± .018	8	(27.74 ± 0.25) 1.092 ± .010	(31.60 ± 0.31) 1.244 ± .012
			9	(31.70 ± 0.25) 1.248 ± .010	(35.56 ± 0.31) 1.400 ± .012
			10	(35.66 ± 0.25) 1.404 ± .010	(39.52 ± 0.31) 1.556 ± .012
			11	(39.62 ± 0.25) 1.560 ± .010	(43.48 ± 0.31) 1.712 ± .012
			12	(43.59 ± 0.25) 1.716 ± .010	(47.45 ± 0.31) 1.868 ± .012
			13	(47.55 ± 0.31) 1.872 ± .012	(51.41 ± 0.36) 2.024 ± .014

NOTES:

- 1) SIMILAR TO 2139-N EXCEPT WITH POLARIZING PEG.
- 2) FOR USE WITH TERMINAL No. 2478 OR 2578
- 3) ASSEMBLED CONNECTOR MATES WITH (.14)/.045 SQUARE OR ROUND PIN.
- 4) EXTENDED PIN ENTRY WINDOWS ARE POSSIBLE.



PEG-MINUS 1° DRAFT



REV	DESCRIPTION
1	APPR: J DENNEY 2007/04/04
2	CHK'D: D. MORIARTY 2007/03/29
3	DRWN: D. WASZKIEWICZ 2007/03/28
4	EC NO: E2007-0720
5	CORRECT TEXT LOC

QUALITY SYMBOLS	GENERAL TOLERANCES (UNLESS SPECIFIED)	
	mm	INCH
▽=0	4 PLACES ± ---	± ---
▽=0	3 PLACES ± ---	± .010
	2 PLACES ± 0.25	± .014
	1 PLACE ± 0.35	± ---
	ANGULAR ± 2°	

DIMENSION STYLE	
MM/IN	SCALE
DRAWN BY SM	DATE 1990/04/06
CHECKED BY E. FOLAN	DATE 2000/08/30
APPROVED BY MWILHITE	DATE 2000/08/30
MATERIAL NO.	SEE CHART

SCALE	DESIGN UNITS	THIRD ANGLE PROJECTION
4:1	METRIC	☉
TITLE		
HOUSING, KK CONNECTOR (3.96)/.156 CRIMP PEG/VOID OPTIONAL		
MOLEX INCORPORATED		
MATERIAL NO.	DOCUMENT NO.	SHEET NO.
SEE CHART	SD-3069-N***	1 OF 2

No. OF CCTS.	ENG. No.	PART No.	LOCKING RAMP	No. OF CCTS.	ENG. No.	PART No.	LOCKING RAMP	No. OF CCTS.	ENG. No.	PART No.	LOCKING RAMP
2	3069-A02	09-26-0200	YES	2	3069-02	09-91-0200	YES	18	3069-18	09-91-1800	YES
	↑ -A022	↑ -27-0200	NO		↑ -022	↑ -92-0200	NO		↑ -182	↑ -92-1800	NO
3	-A03	-26-0300	YES	3	-03	-91-0300	YES	19	-19	-91-1900	YES
	-A032	-27-0300	NO		-032	-92-0300	NO		-192	-92-1900	NO
4	-A04	-26-0400	YES	4	-04	-91-0400	YES	20	-20	-91-2000	YES
	-A042	-27-0400	NO		-042	-92-0400	NO		3069-202	09-92-2000	NO
5	-A05	-26-0500	YES	5	-05	-91-0500	YES				
	-A052	-27-0500	NO		-052	-92-0500	NO				
6	-A06	-26-0600	YES	6	-06	-91-0600	YES				
	-A062	-27-0600	NO		-062	-92-0600	NO				
7	-A07	-26-0700	YES	7	-07	-91-0700	YES				
	-A072	-27-0700	NO		-072	-92-0700	NO				
8	-A08	-26-0800	YES	8	-08	-91-0800	YES				
	-A082	-27-0800	NO		-082	-92-0800	NO				
9	-A09	-26-0900	YES	9	-09	-91-0900	YES				
	-A092	-27-0900	NO		-092	-92-0900	NO				
10	-A10	-26-1000	YES	10	-10	-91-1000	YES				
	-A102	-27-1000	NO		-102	-92-1000	NO				
11	-A11	-26-1100	YES	11	-11	-91-1100	YES				
	-A112	-27-1100	NO		-112	-92-1100	NO				
12	-A12	-26-1200	YES	12	-12	-91-1200	YES				
	-A122	-27-1200	NO		-122	-92-1200	NO				
13	-A13	-26-1300	YES	13	-13	-91-1300	YES				
	-A132	-27-1300	NO		-132	-92-1300	NO				
14	-A14	-26-1400	YES	14	-14	-91-1400	YES				
	-A142	-27-1400	NO		-142	-92-1400	NO				
15	-A15	-26-1500	YES	15	-15	-91-1500	YES				
	-A152	-27-1500	NO		-152	-92-1500	NO				
16	-A16	-26-1600	YES	16	-16	-91-1600	YES				
	-A162	-27-1600	NO		-162	-92-1600	NO				
17	-A17	-26-1700	YES	17	-17	-91-1700	YES				
	-A172	-27-1700	NO		3069-172	09-92-1700	NO				
18	-A18	-26-1800	YES								
	-A182	-27-1800	NO								
19	-A19	-26-1900	YES								
	-A192	-27-1900	NO								
20	-A20	-26-2000	YES								
	3069-A202	09-27-2000	NO								

No. OF CCTS.	ENG. No.	PART No.	LOCKING RAMP	VOID LOC'N
4	3069-04VC	09-28-0403	YES	3
4	3069-042VB	09-29-0402	NO	2
5	3069-052VB	09-29-0502	NO	2
6	3069-062VB	97-00-0860	NO	2
7	3069-B07	97-00-2511	YES	NONE
5	3069-B05	97-00-1009	YES	NONE

NOTE: NON-STANDARD ITEMS

OBSOLETE 21-24 CKT
 EC NO: E2005-0115
 DRAWN: GMSMEEN 2004/08/23
 CHK'D: DMOR IART 2004/08/24
 APPR: JDENNEHY 2004/08/25

QUALITY SYMBOLS
 = 0
 = 0.1

GENERAL TOLERANCES (UNLESS SPECIFIED)		
	mm	INCH
4 PLACES	± ---	± ---
3 PLACES	± ---	± ---
2 PLACES	± ---	± ---
1 PLACE	± ---	± ---
ANGULAR ± 2 °		

DIMENSION STYLE MM/IN		SCALE ---	DESIGN UNITS METRIC	THIRD ANGLE PROJECTION
DRAWN BY SM	DATE 1990/04/09	TITLE HOUSING, KK CONNECTOR (3.96)/.156, CRIMP PEG/VOID OPTIONAL.		
CHECKED BY DMOR IART	DATE 2004/08/11	MOLEX INCORPORATED		
APPROVED BY JDENNEHY	DATE 2004/08/13	MATERIAL NO.	DOCUMENT NO. SD-3069-N***	SHEET NO. 2 OF 2
DRAFT WHERE APPLICABLE MUST REMAIN WITHIN DIMENSIONS				
THIS DRAWING CONTAINS INFORMATION THAT IS PROPRIETARY TO MOLEX INCORPORATED AND SHOULD NOT BE USED WITHOUT WRITTEN PERMISSION				